

Previous Page



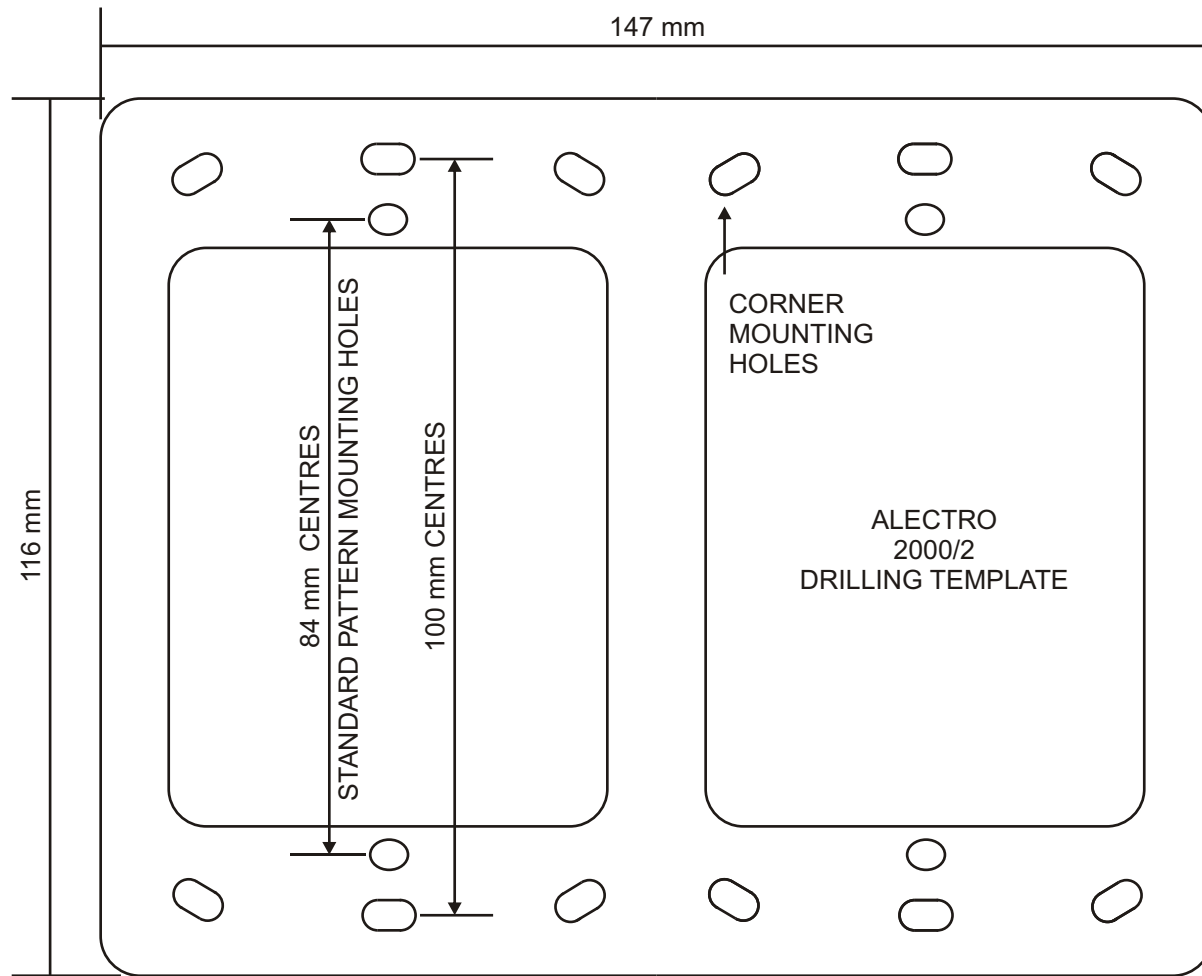
Drawing Name  
SINGLE GANG VERTICAL SURROUND DRILLING TEMPLATE

Scale  
1:1

Company Name  
ALECTRO CUSTOM WALL PLATES

Drawing Number  
2000V1

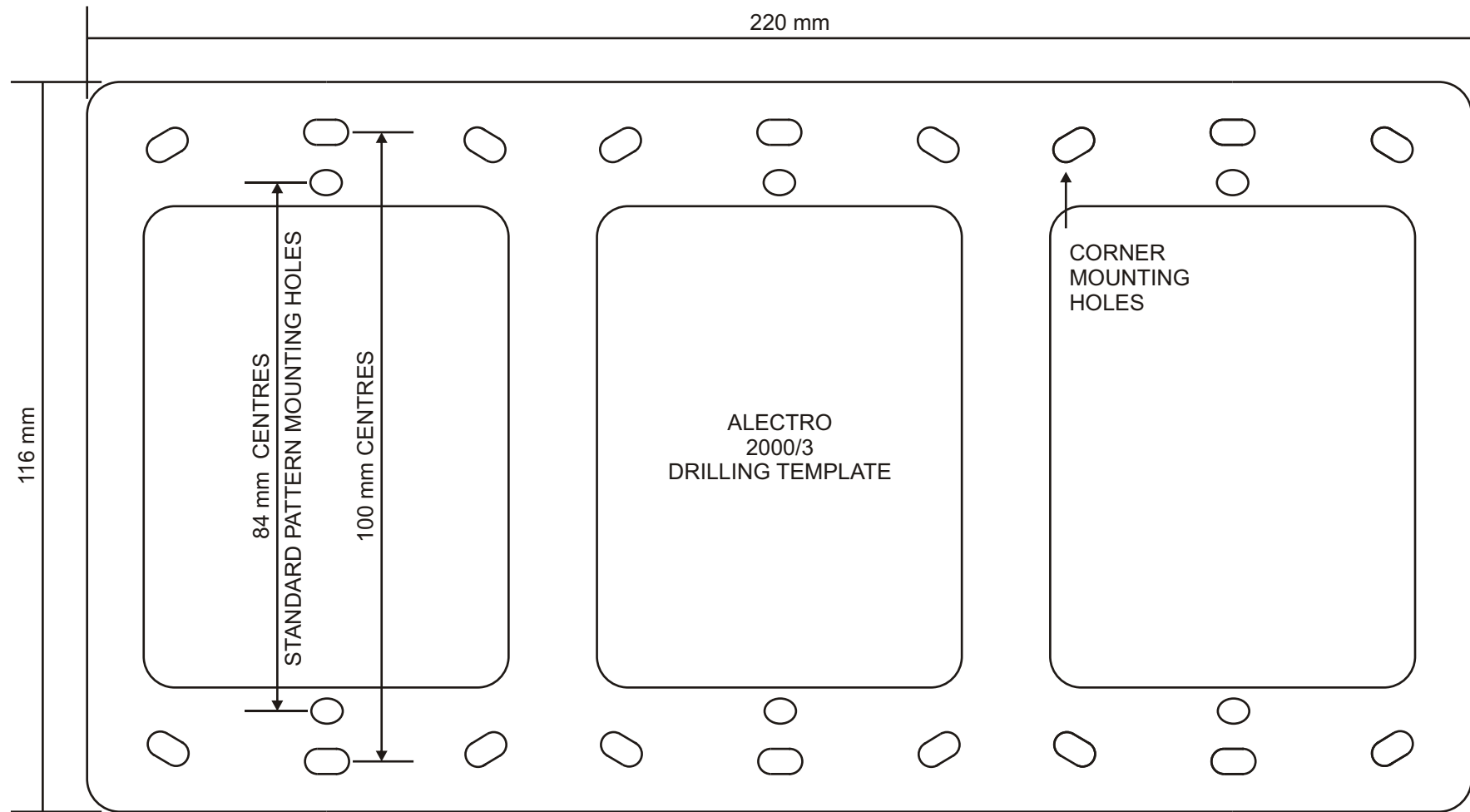
Page Size  
A4



Previous Page



Drawing Name	TWO GANG VERTICAL SURROUND DRILLING TEMPLATE	Scale	1:1
Company Name	ALECTRO CUSTOM WALL PLATES	Drawing Number	2000V2
		Page Size	A4



Previous Page



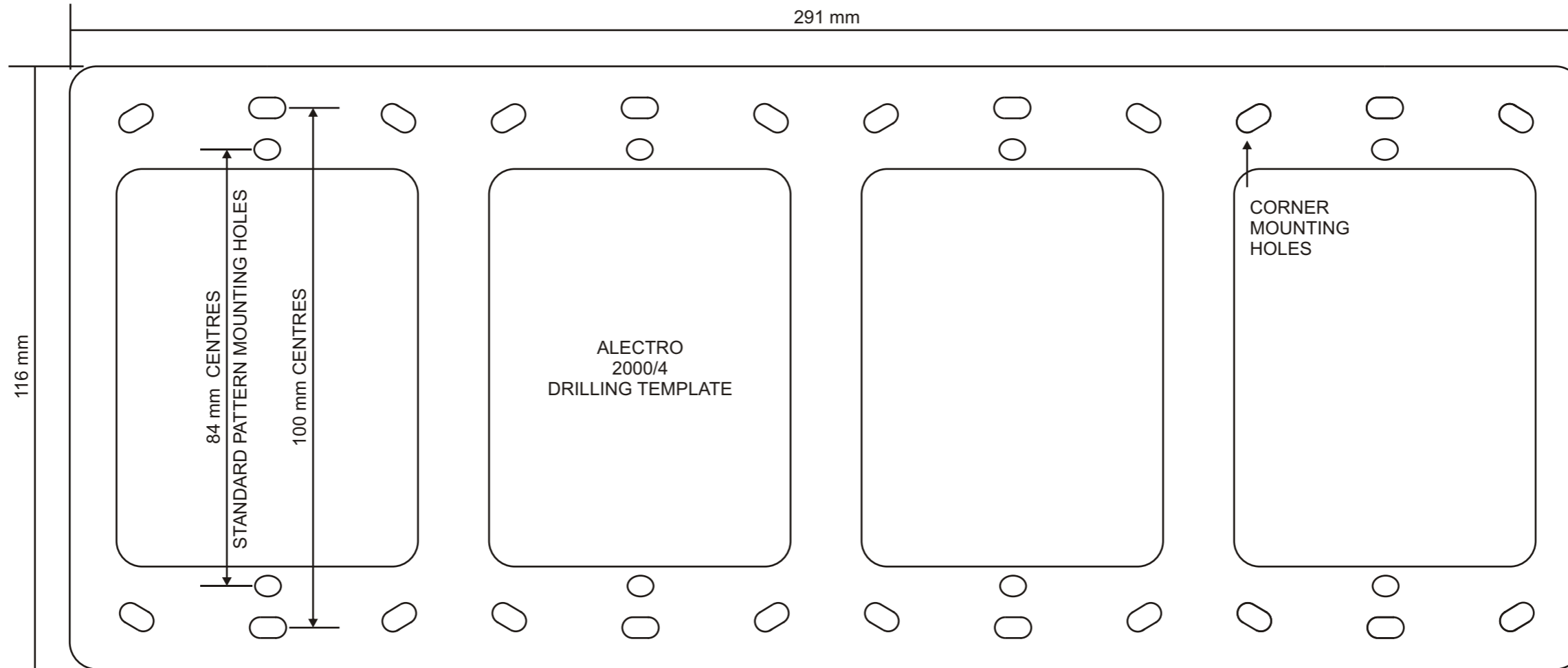
Drawing Name  
THREE GANG VERTICAL SURROUND DRILLING TEMPLATE

Scale  
1:1


Company Name  
ALECTRO CUSTOM WALL PLATES

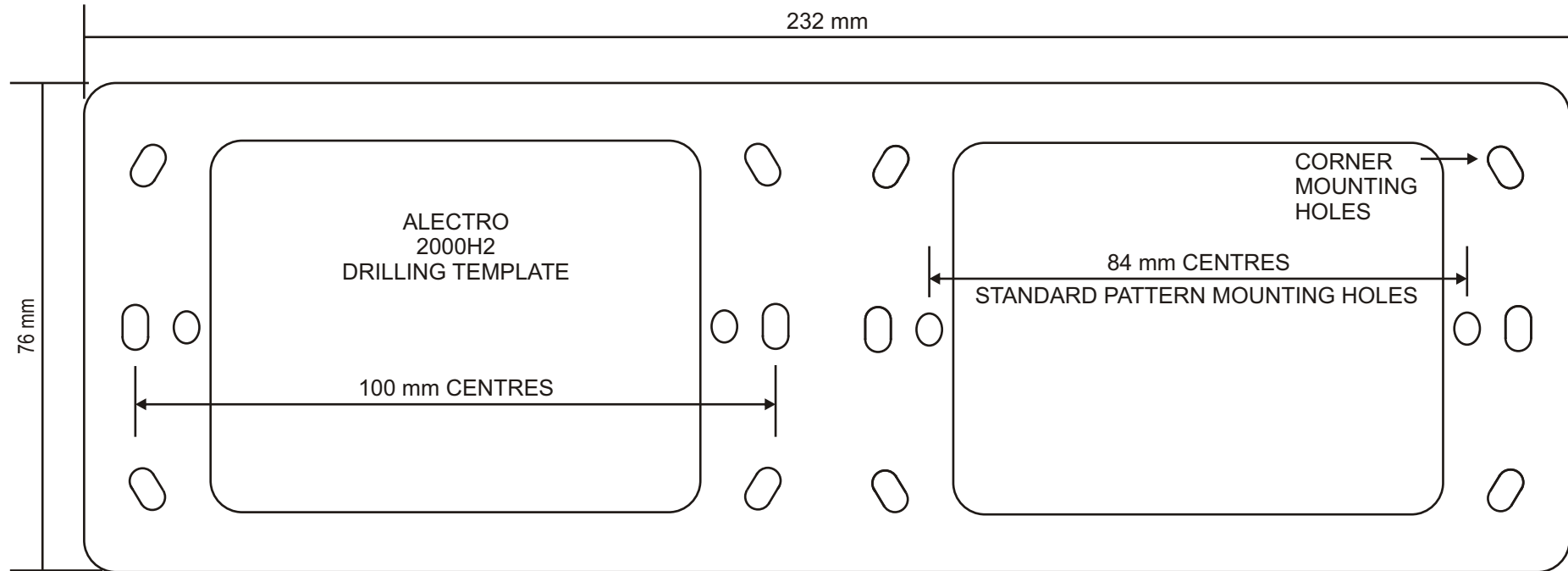
Drawing Number  
2000V3

Page Size  
A4



Previous Page

	Drawing Name FOUR GANG VERTICAL SURROUND DRILLING TEMPLATE	Scale 1:1
	Company Name ALECTRO CUSTOM WALL PLATES	Drawing Number 2000V4



[Previous Page](#)



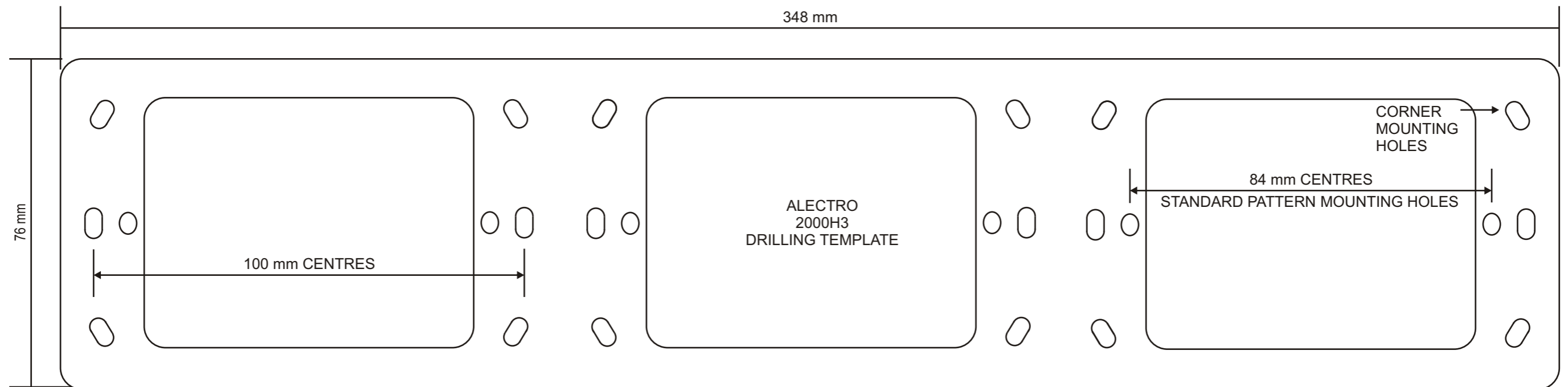
Drawing Name  
**TWO GANG HORIZONTAL SURROUND DRILLING TEMPLATE**

Scale  
**1:1**


Company Name  
**ALECTRO CUSTOM WALL PLATES**

Drawing Number  
**2000H2**

Page Size  
**A4**



Previous Page

	Drawing Name <b>THREE GANG HORIZONTAL SURROUND DRILLING TEMPLATE</b>		Scale 1:1
	Company Name <b>ALECTRO CUSTOM WALL PLATES</b>	Drawing Number <b>2000H3</b>	Page Size A3